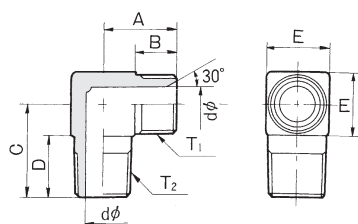


エルボータイプアダプター

● Material : Plated steel, Stainless Steel  
● 材質 : SS(三価クロメートメッキ)・SUS304

SR-34 (同径)

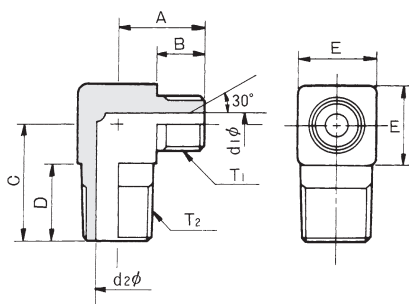


接続口金具 : SR-05

\*印はSSのみ

| 呼び径  | ねじT <sub>1</sub> | ねじT <sub>2</sub> | Amm  | Bmm | Cmm   | Dmm | dφmm | Emm |
|------|------------------|------------------|------|-----|-------|-----|------|-----|
| 3    | G 1/8            | R 1/8            | 18.0 | 11  | 21.0  | 14  | 4.0  | 14  |
| 6    | G 1/4            | R 1/4            | 21.0 | 13  | 25.0  | 17  | 5.5  | 17  |
| 9    | G 3/8            | R 3/8            | 25.0 | 15  | 30.0  | 20  | 7.0  | 19  |
| 12   | G 1/2            | R 1/2            | 30.0 | 18  | 36.0  | 24  | 10.0 | 24  |
| 19   | G 3/4            | R 3/4            | 35.0 | 20  | 43.0  | 28  | 16.0 | 30  |
| 25   | G 1              | R 1              | 40.0 | 22  | 50.0  | 32  | 22.0 | 36  |
| 32   | G 1 1/4          | R 1 1/4          | 46.5 | 24  | 57.5  | 35  | 28.0 | 45  |
| 38   | G 1 1/2          | R 1 1/2          | 49.0 | 24  | 63.0  | 38  | 34.0 | 50  |
| 50   | G 2              | R 2              | 59.5 | 28  | 73.5  | 42  | 45.0 | 63  |
| * 65 | G 2 1/2          | R 2 1/2          | 73.0 | 33  | 88.0  | 48  | 56.0 | 80  |
| * 75 | G 3              | R 3              | 82.5 | 35  | 101.5 | 54  | 68.0 | 95  |

SR-34 (異径)

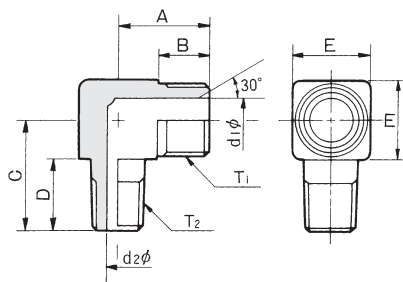


接続口金具 : SR-05

\*印のSUSは受注生産

| 呼び径     | ねじT <sub>1</sub> | ねじT <sub>2</sub> | Amm  | Bmm | Cmm  | Dmm | d <sub>1</sub> φmm | d <sub>2</sub> φmm | Emm |
|---------|------------------|------------------|------|-----|------|-----|--------------------|--------------------|-----|
| 3×6     | G 1/8            | R 1/4            | 19.0 | 11  | 22.0 | 15  | 4.0                | 5.5                | 14  |
| 6×9     | G 1/4            | R 3/8            | 23.0 | 13  | 30.0 | 20  | 5.5                | 7.0                | 19  |
| 9×12    | G 3/8            | R 1/2            | 27.0 | 15  | 36.0 | 24  | 7.0                | 10.0               | 24  |
| 12×19   | G 1/2            | R 3/4            | 33.0 | 18  | 43.0 | 28  | 10.0               | 16.0               | 30  |
| 19×25   | G 3/4            | R 1              | 38.0 | 20  | 50.0 | 32  | 16.0               | 22.0               | 36  |
| * 25×32 | G 1              | R 1 1/4          | 44.5 | 22  | 57.5 | 35  | 21.5               | 28.0               | 45  |
| * 32×38 | G 1 1/4          | R 1 1/2          | 49.0 | 24  | 63.0 | 38  | 27.5               | 34.0               | 50  |
| * 38×50 | G 1 1/2          | R 2              | 55.5 | 24  | 73.5 | 42  | 33.0               | 45.0               | 63  |

SR-34 (異径)



接続口金具 : SR-05

\*印のSUSは受注生産

| 呼び径     | ねじT <sub>1</sub> | ねじT <sub>2</sub> | Amm  | Bmm | Cmm  | Dmm | d <sub>1</sub> φmm | d <sub>2</sub> φmm | Emm |
|---------|------------------|------------------|------|-----|------|-----|--------------------|--------------------|-----|
| 6×3     | G 1/4            | R 1/8            | 21.0 | 13  | 22.0 | 14  | 5.5                | 4.0                | 17  |
| 9×6     | G 3/8            | R 1/4            | 25.0 | 15  | 27.0 | 17  | 7.0                | 5.5                | 19  |
| 12×9    | G 1/2            | R 3/8            | 30.0 | 18  | 32.0 | 20  | 10.0               | 7.0                | 24  |
| 19×12   | G 3/4            | R 1/2            | 35.0 | 20  | 39.0 | 24  | 16.0               | 10.0               | 30  |
| 25×19   | G 1              | R 3/4            | 40.0 | 22  | 46.0 | 28  | 22.0               | 16.0               | 36  |
| * 32×25 | G 1 1/4          | R 1              | 46.5 | 24  | 57.5 | 32  | 28.0               | 22.0               | 45  |
| * 38×32 | G 1 1/2          | R 1 1/4          | 49.0 | 24  | 63.0 | 35  | 34.0               | 28.0               | 50  |
| * 50×38 | G 2              | R 1 1/2          | 59.5 | 28  | 73.5 | 38  | 45.0               | 34.0               | 63  |

(注意) 予告なしに、品質・性能・改善のため寸法を変更する事があります。